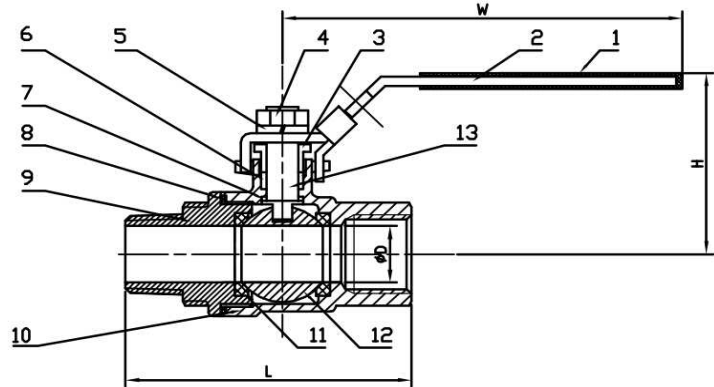




Cangzhou Changyuan Fittings Co.,Ltd
 Add:No.26 Shigang Road,Development Zone,Cangzhou ,Hebei,China

[Http://www.con-well.com](http://www.con-well.com) email:con-well@vip.163.com



2PC BALL VALVE NORMAL M/F (FULL BORE) (mm)

DN	G	D	L	H	W	EX	Unit weight(KG)	Qty/ Carton
8	1/4"	9.00	57.00	46.00	100.00	17.00		
10	3/8"	12.50	57.00	47.00	100.00	20.50		
15	1/2"	15.00	68.00	48.00	100.00	25.00		
20	3/4"	20.00	77.00	57.50	112.00	30.00		
25	1"	25.00	90.60	61.00	112.00	37.00		
32	1 1/4"	32.00	101.50	77.50	145.00	46.50		
40	1 1/2"	38.00	113.00	82.00	145.00	53.00		
50	2"	50.00	138.00	98.00	165.00	65.00		

MATERIAL LIST

ITEM	DESCRIPTION	MATERIAL
1	PLASTIC COVER	PLASTIC
2	HANDLE	201/304
3	GLAND NUT	304
4	STEM NUT	304
5	THRUST WASHER	304
6	STEM PACKING	PTFE
7	STEM SEAL	PTFE
8	BODY SEAL	PTFE
9	CAP	CF8/CF8M
10	BODY	CF8/CF8M
11	BALL SEAT	RPTFE
12	BALL	304/316
13	STEM	304

FEATURES:

- Handle with lock can be choiced.
- Working pressure:1000PSI(PN64).
- Working temperature:-10 °C to 150°C.
- Suitable medium:W.O.G.
- Thread: BSP,BSPT,DIN,NPT.
- PED97/23/EC(CE0038)Approved.
- Inspection Testing:API598,EN12266.